

# Pintuck Foot

A Pin Tuck Foot is great for adding decorative dimension to a variety of sewing projects.

This foot has tiny grooves on the bottom and is used along with a twin needle. Fabric will tunnel under the center groove and form a tiny fold (or tuck) in the fabric. The grooves on either side of the center are used as guides for evenly spaced tucks that are meant to be close together.

Use the Edge/Quilt guide to evenly space tucks that are farther apart, as shown.

Pin Tuck feet come in different sizes to be used on certain weights of fabric or degree of desired tuck.

## Which one to use:

### 3-Groove Pin Tuck Foot (also known as the Raised Seam Foot with Raised Seam Plate):

Sew quick tucks in medium weight fabrics.  
Use with Twin Needle Size 2.0 or 2.5.  
Select a straight stitch, length 2.5.

### 5-Groove Pin Tuck Foot:

Sew quick tucks in light to medium weight fabrics.  
Use with Twin Needle size 2.0.  
Select straight stitch, length 2.5.

### 7-Groove Pin Tuck Foot:

Sew quick tucks in light weight fabrics.  
Use with Twin Needle size 1.6 or 2.0.  
Select straight stitch, length 2.0.

### 9-Groove Pin Tuck Foot:

Sew quick tucks in very light weight fabrics.  
Use with Twin Needle size 1.6.  
Select straight stitch, length 1.5-2.0.

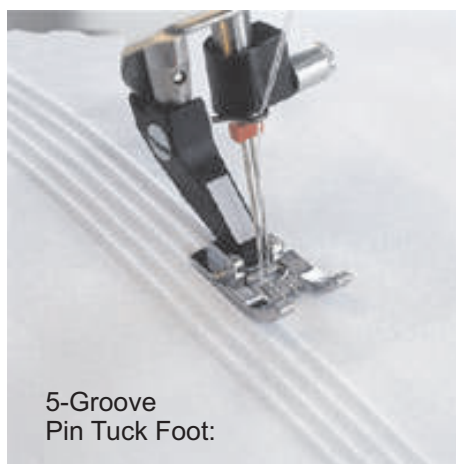
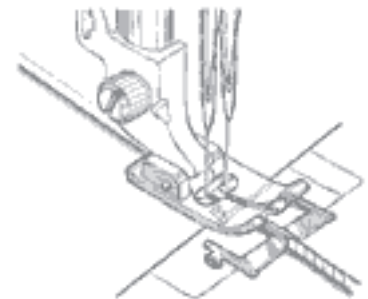
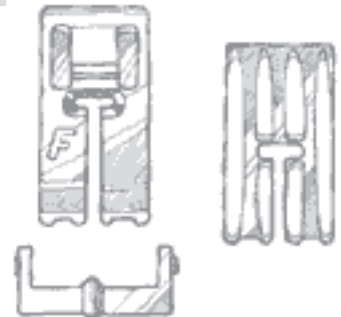
## How To Use:

1. Snap on foot. Insert and thread twin needle.
2. Stitch Tucks are formed by Twin Needle sewing as fabric tunnels into the groove on underside of foot.

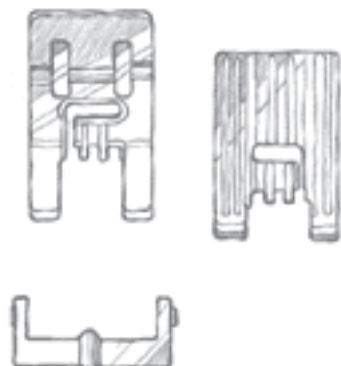
*Continue next page...*



3-Groove Pin Tuck Foot (also known as the Raised Seam Foot with Raised Seam Plate):



5-Groove Pin Tuck Foot:



3. Place tuck in outside groove of foot to guide next tuck.

#### Additional Ideas:

##### Higher Ridges:

To create a more pronounced tuck, tighten the top thread tension slightly so the bobbin thread is allowed to "pull" the fabric together more closely. This technique can be used when creating tucks without cording.

##### Corded Tucks:

Snap Raised Seam Plate onto your stitch plate for heavier fabrics or to place cord in tucks. For corded tucks, place cord or yarn in guide on raised seam plate. The cord will be encased between the bottom of the fabric and the bobbin thread.

##### Spacing Tucks:

The additional tunnels on these feet are used glide over the previously sewn tucks as a guide for even spacing when tucks are meant to be close together.

Use the Edge/Quilting Guide for evenly spaced tucks that are desired to be farther apart.

1. Slide the guide onto the rear of the ankle.
2. Mark and stitch the first row of tucks.
3. Adjust your guide for the desired distance and stitch the next row with the guide moving along the first row of tucks.
4. Continue stitching rows with the guide moving along the previous rows.

#### Creative Ideas:

Use a dark or bright colored cord or bobbin thread under light colored material for a pastel shadow effect.

Use contrasting top thread to "outline" or "highlight" the pin tuck.

Use to decorate edges of borders along pillowcases, dresses, sleeves, lapels, collars, napkins, etc.

Use to create a border around quilting applique or pretty embroidery design.

Use to create a waffle weave design, then cut it out to use as applique motifs with added dimension.

That's just a few ideas. What can you think of?

